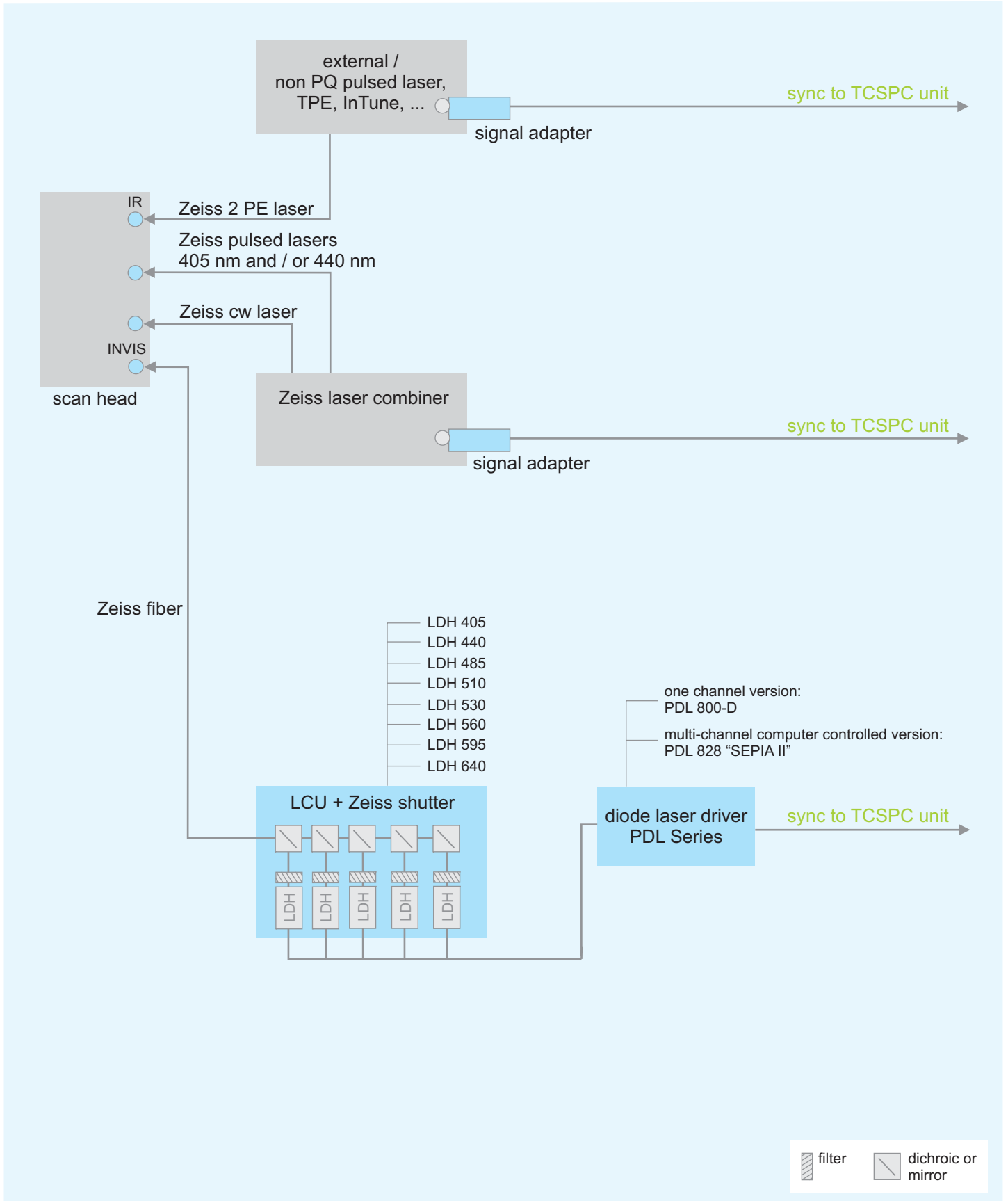
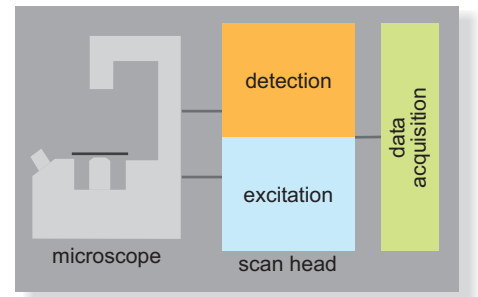


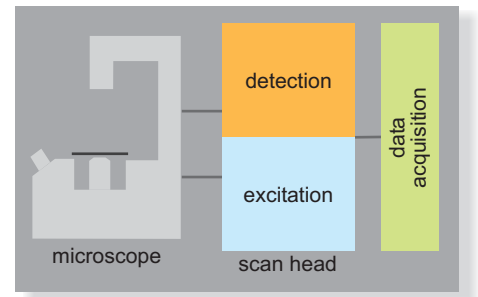
Excitation Components

Zeiss LSM 710, 780 and 880

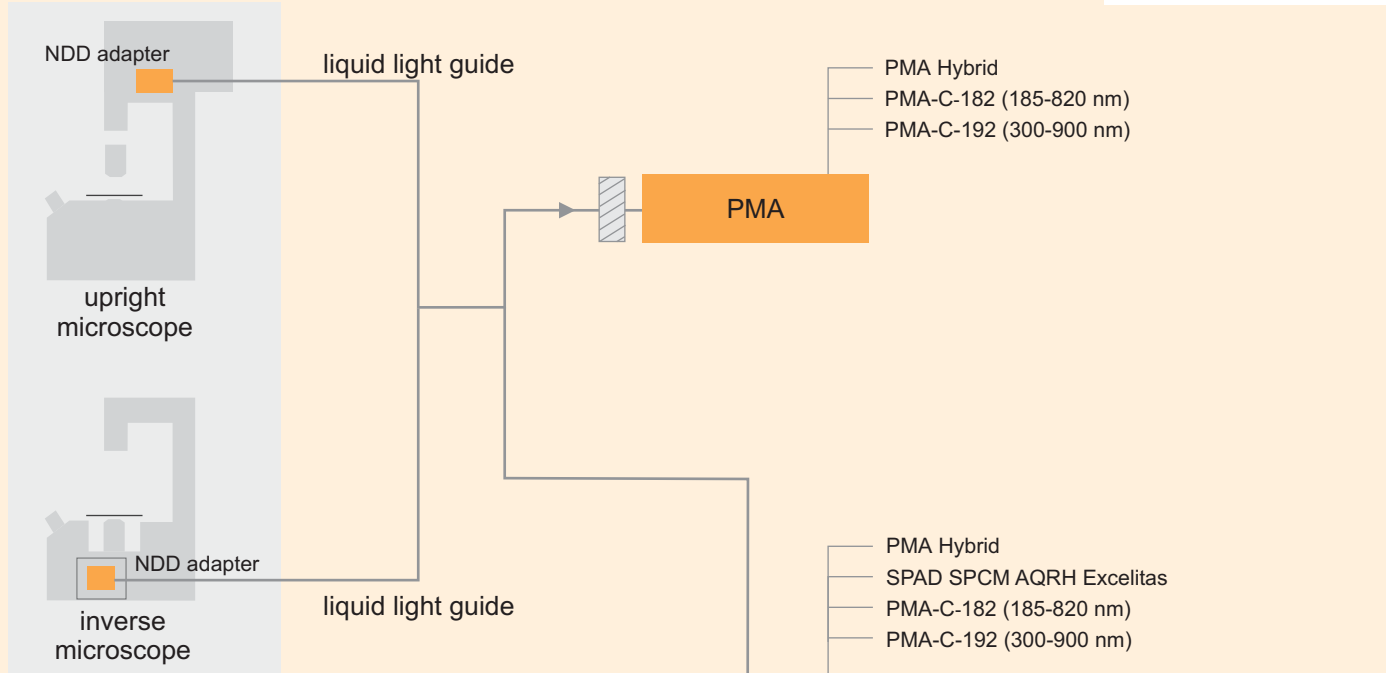


Detection Components

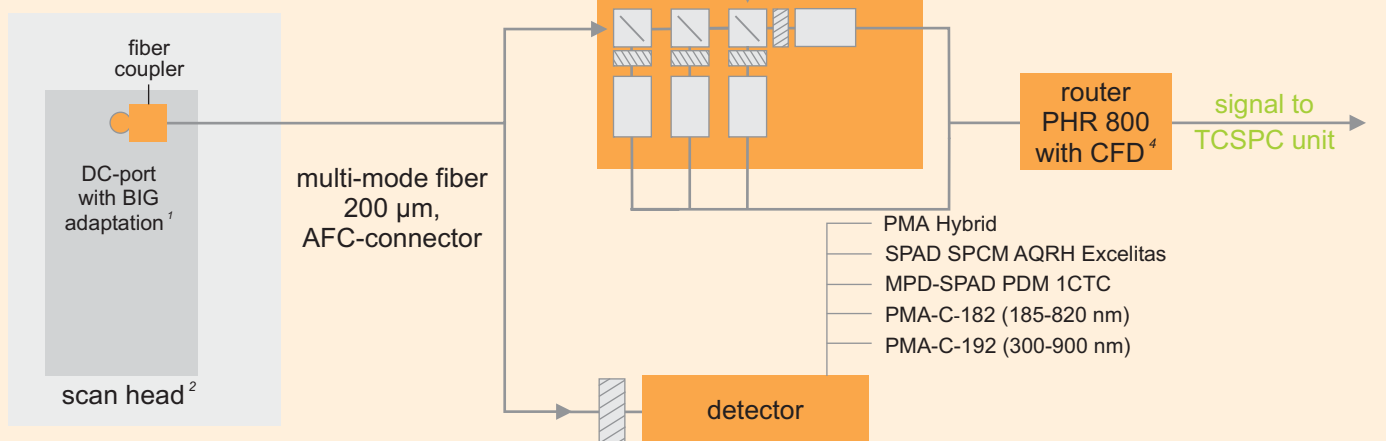
Zeiss LSM 710, 780 and 880



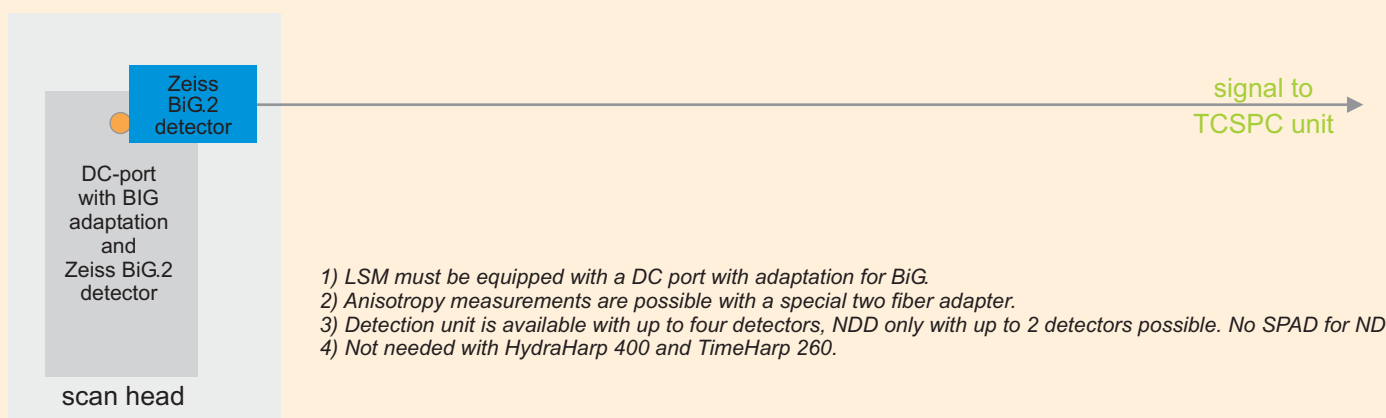
NDD (Non-descanned Detection)



Confocal

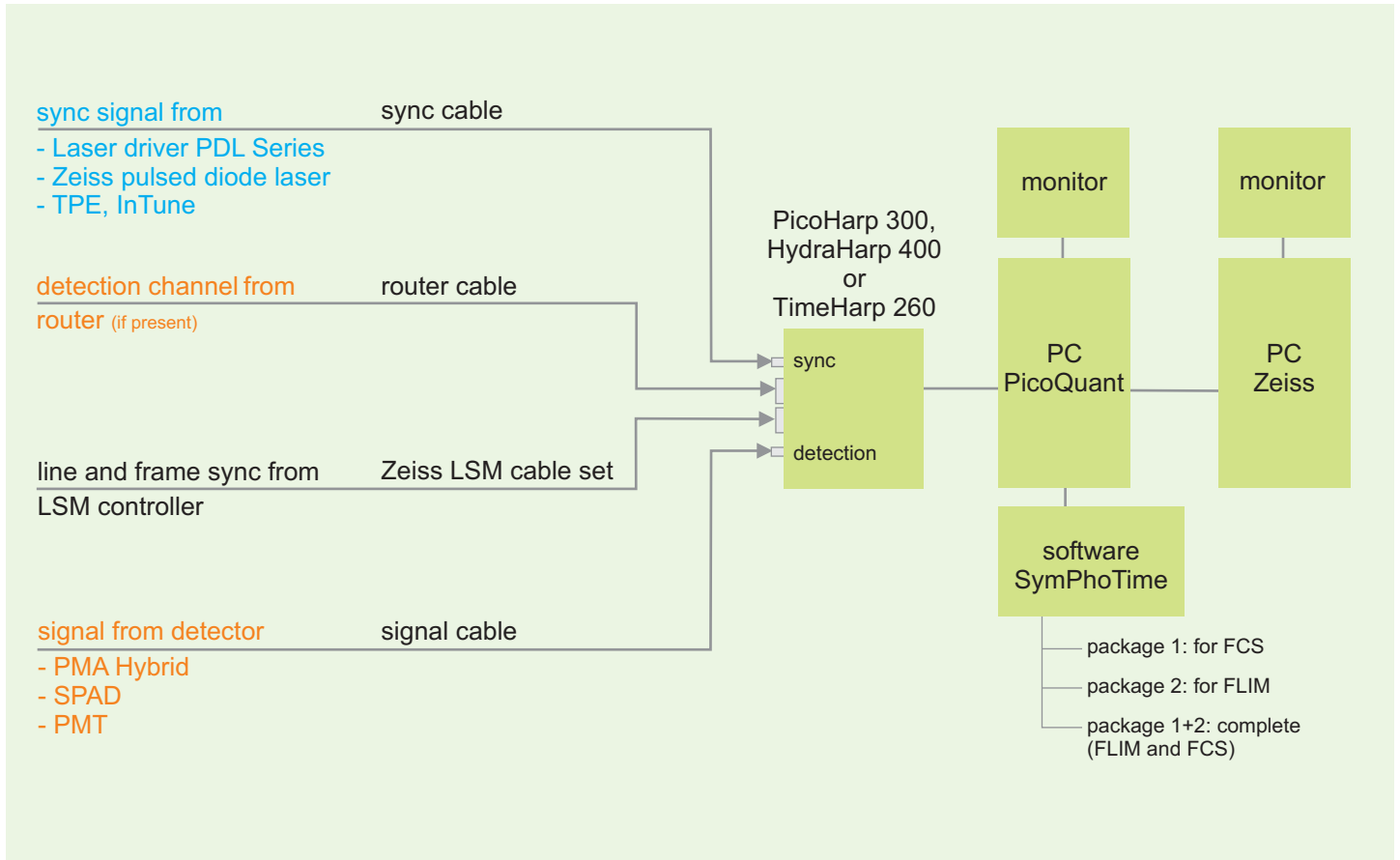
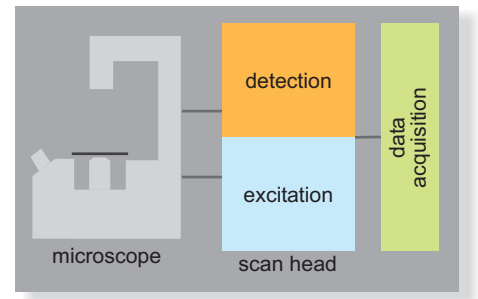


Alternative



1) LSM must be equipped with a DC port with adaptation for BiG.
 2) Anisotropy measurements are possible with a special two fiber adapter.
 3) Detection unit is available with up to four detectors, NDD only with up to 2 detectors possible. No SPAD for NDD.
 4) Not needed with HydraHarp 400 and TimeHarp 260.

Components - Data Acquisition Zeiss LSM 710, 780 and 880



All Information given here is reliable to our best knowledge. However, no responsibility is assumed for possible inaccuracies or omissions. Specifications and external appearances are subject to change without notice. Trademarks or corporate names are used for explanation and identification, to the owner's benefit and without intent to infringe.

© PicoQuant GmbH, April 2016



PicoQuant GmbH
Rudower Chaussee 29 (IGZ)
12489 Berlin
Germany

Phone +49-(0)30-6392-6929
Telefax +49-(0)30-6392-6561
Email info@picoquant.com
WWW <http://www.picoquant.com>