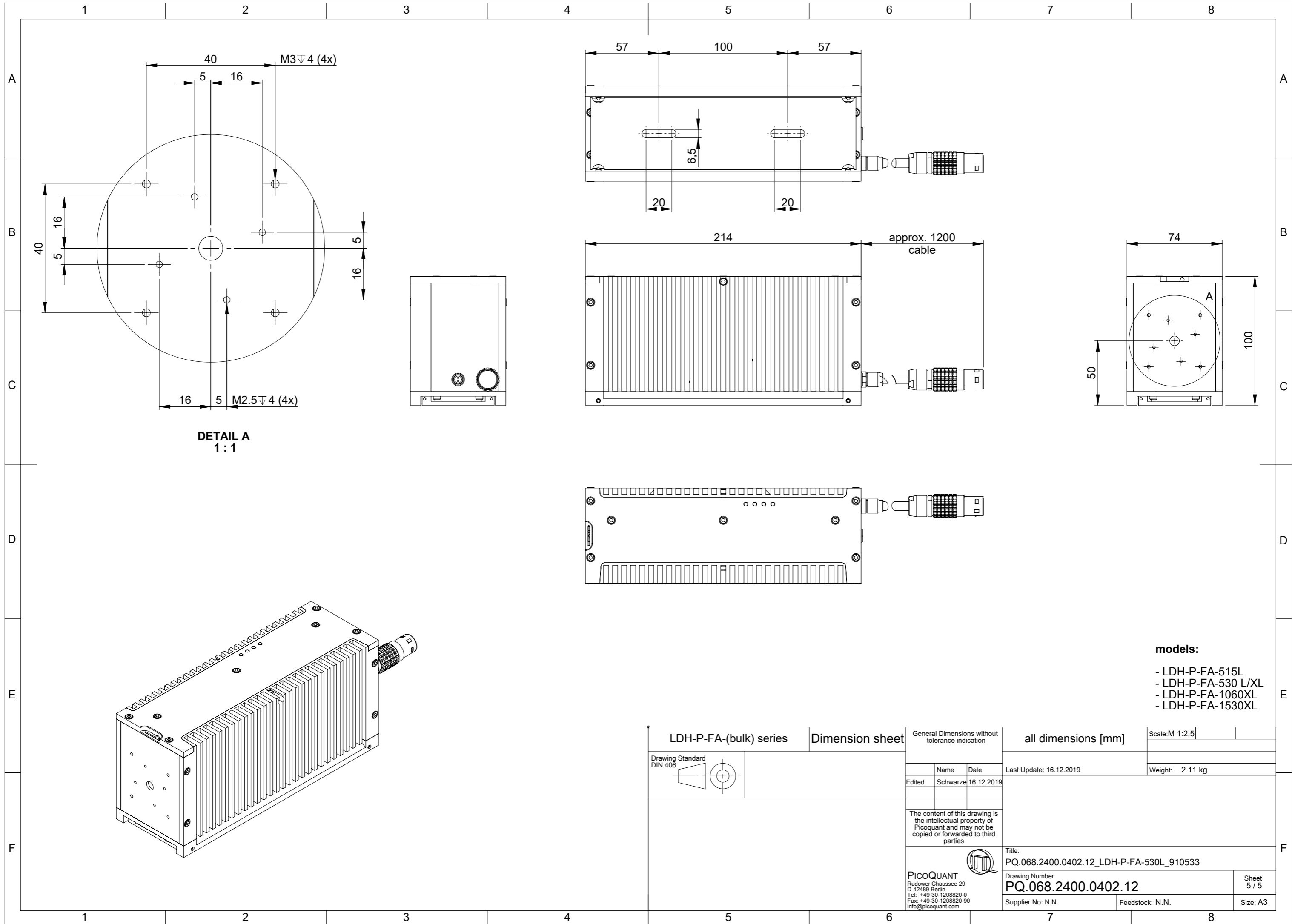
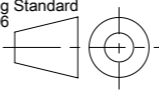



LDH-P-FA-(bulk) series		Dimension sheet		General Dimensions without tolerance indication		all dimensions [mm]		Scale: M 1:2.5					
Drawing Standard DIN 406				<table border="1"> <thead> <tr> <th>Name</th> <th>Date</th> </tr> </thead> <tbody> <tr> <td>Schwarze</td> <td>16.12.2019</td> </tr> </tbody> </table>		Name	Date	Schwarze	16.12.2019	Last Update: 16.12.2019		Weight: 2.11 kg	
Name	Date												
Schwarze	16.12.2019												
The content of this drawing is the intellectual property of Picoquant and may not be copied or forwarded to third parties						Title: PQ.068.2400.0402.12_LDH-P-FA-530L_910533		Sheet 4 / 5					
<p>PICOQUANT Rudower Chaussee 29 D-12489 Berlin Tel: +49-30-1208820-0 Fax: +49-30-1208820-90 info@picoquant.com</p>				Drawing Number: PQ.068.2400.0402.12		Supplier No: N.N.		Feedstock: N.N.					
								Size: A3					



- models:**
- LDH-P-FA-515L
 - LDH-P-FA-530 L/XL
 - LDH-P-FA-1060XL
 - LDH-P-FA-1530XL

LDH-P-FA-(bulk) series		Dimension sheet		General Dimensions without tolerance indication		all dimensions [mm]		Scale: M 1:2.5					
Drawing Standard DIN 406				<table border="1"> <tr> <th>Name</th> <th>Date</th> </tr> <tr> <td>Schwarze</td> <td>16.12.2019</td> </tr> </table>		Name	Date	Schwarze	16.12.2019	Last Update: 16.12.2019		Weight: 2.11 kg	
Name	Date												
Schwarze	16.12.2019												
The content of this drawing is the intellectual property of Picoquant and may not be copied or forwarded to third parties						Title: PQ.068.2400.0402.12_LDH-P-FA-530L_910533		Sheet 5 / 5					
PICOQUANT Rudower Chaussee 29 D-12489 Berlin Tel: +49-30-1208820-0 Fax: +49-30-1208820-90 info@picoquant.com				Supplier No: N.N.		Feedstock: N.N.		Size: A3					