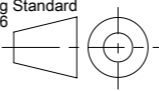

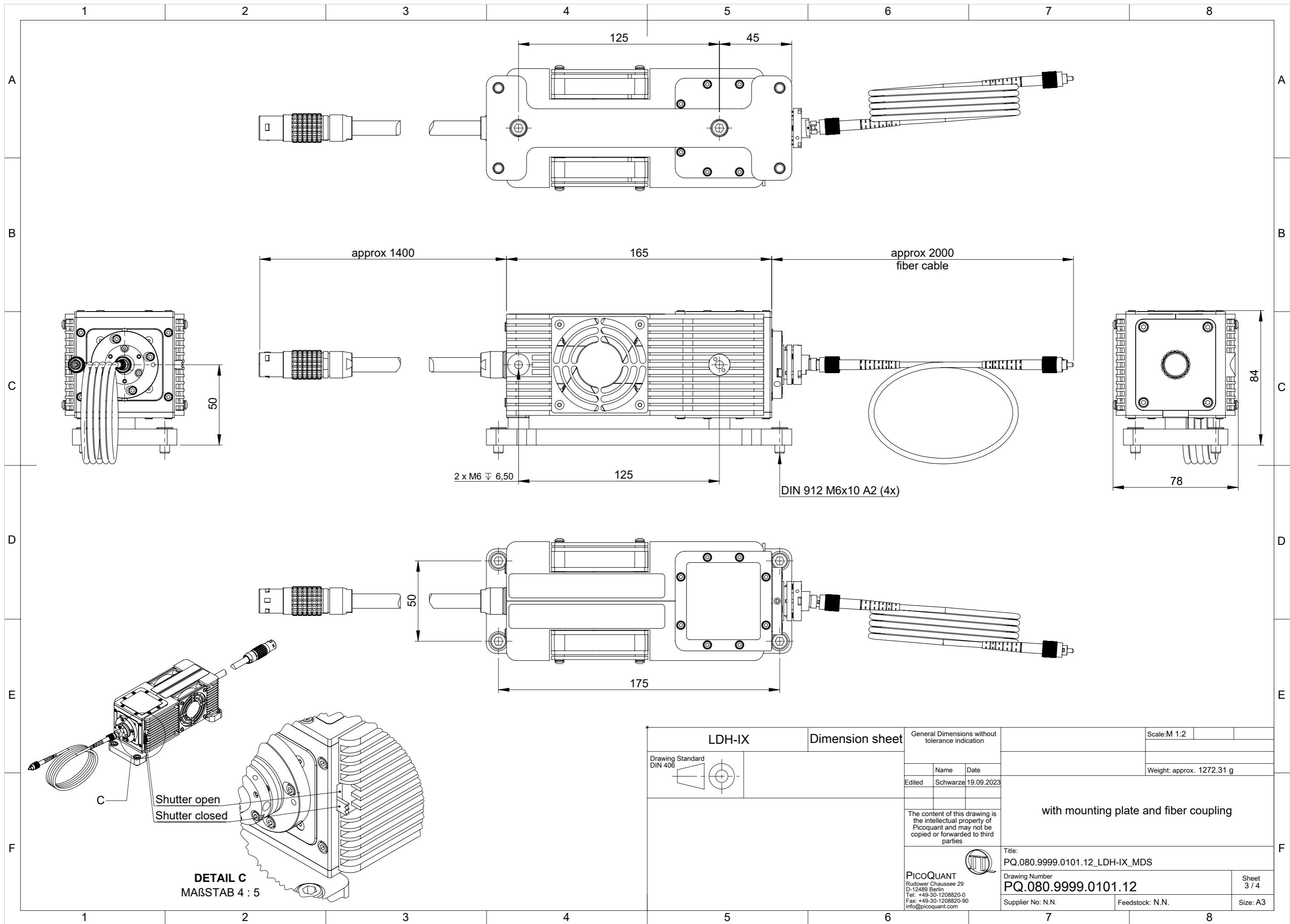
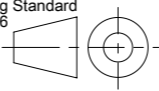

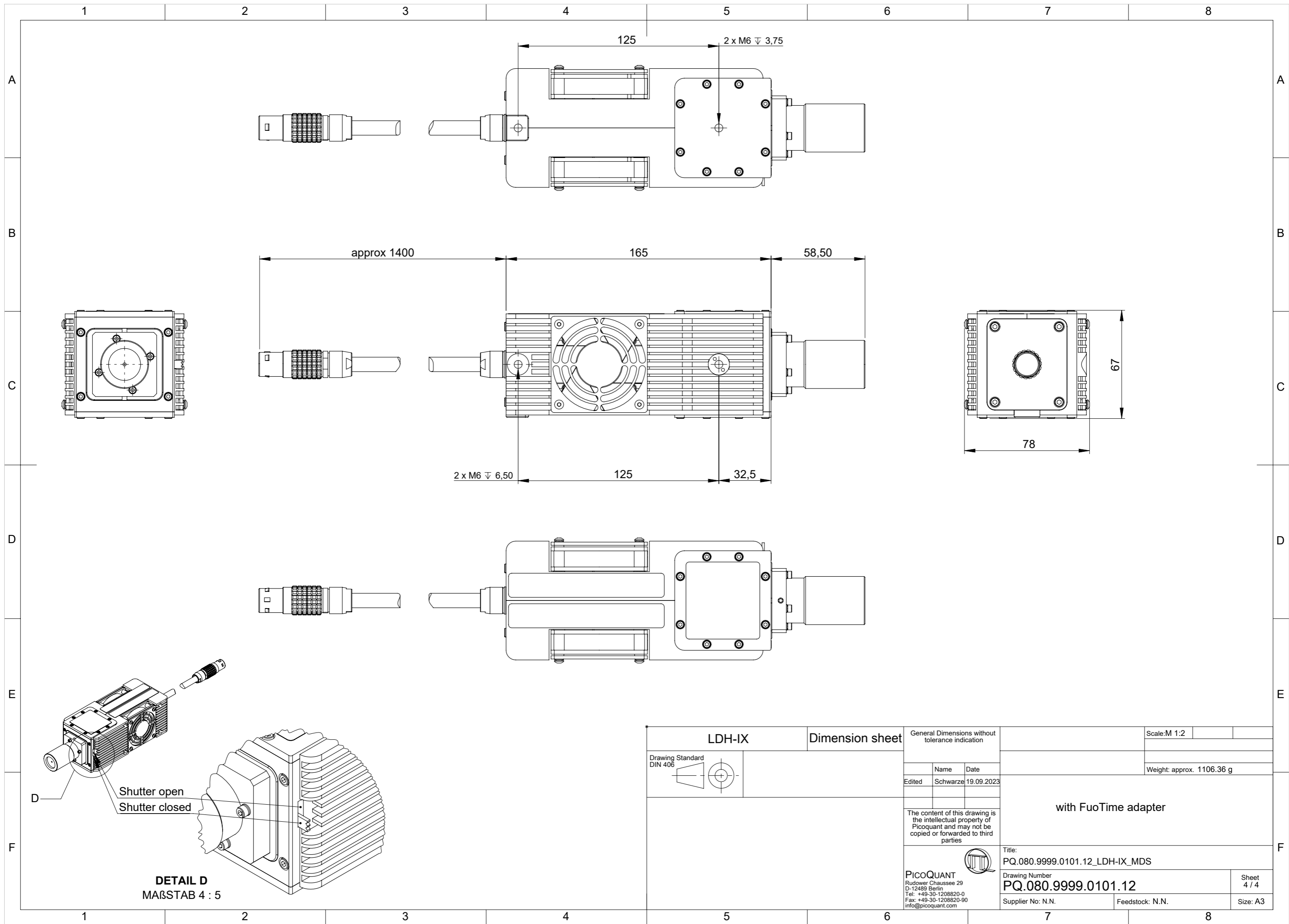


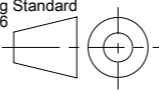

LDH-IX		Dimension sheet		General Dimensions without tolerance indication		Scale: M 1:2				
Drawing Standard DIN 406				<table border="1"> <tr> <th>Name</th> <th>Date</th> </tr> <tr> <td>Schwarze</td> <td>19.09.2023</td> </tr> </table>		Name	Date	Schwarze	19.09.2023	Weight: approx. 1211.89 g
Name	Date									
Schwarze	19.09.2023									
The content of this drawing is the intellectual property of Picoquant and may not be copied or forwarded to third parties				Standard with mounting plate						
										
PICOQUANT Rudower Chaussee 29 D-12489 Berlin Tel: +49-30-1208820-0 Fax: +49-30-1208820-90 info@picoquant.com		Title: PQ.080.9999.0101.12_LDH-IX_MDS		Drawing Number: PQ.080.9999.0101.12		Sheet 2 / 4				
				Supplier No: N.N.		Feedstock: N.N. Size: A3				



LDH-IX		Dimension sheet		General Dimensions without tolerance indication		Scale: M 1:2				
Drawing Standard DIN 406				<table border="1"> <tr> <td>Name</td> <td>Date</td> </tr> <tr> <td>Edited</td> <td>Schwarze 19.09.2023</td> </tr> </table>		Name	Date	Edited	Schwarze 19.09.2023	Weight: approx. 1272.31 g
Name	Date									
Edited	Schwarze 19.09.2023									
The content of this drawing is the intellectual property of Picoquant and may not be copied or forwarded to third parties				with mounting plate and fiber coupling						
		Title: PQ.080.9999.0101.12_LDH-IX_MDS								
PICOQUANT Rudower Chaussee 29 D-12489 Berlin Tel: +49-30-1208820-0 Fax: +49-30-1208820-90 info@picoquant.com		Drawing Number: PQ.080.9999.0101.12		Sheet 3 / 4		Supplier No: N.N. Feedstock: N.N.				

DETAIL C
MAßSTAB 4 : 5



LDH-IX		Dimension sheet		General Dimensions without tolerance indication			Scale: M 1:2				
Drawing Standard DIN 406				<table border="1"> <tr> <th>Name</th> <th>Date</th> </tr> <tr> <td>Schwarze</td> <td>19.09.2023</td> </tr> </table>			Name	Date	Schwarze	19.09.2023	Weight: approx. 1106.36 g
Name	Date										
Schwarze	19.09.2023										
The content of this drawing is the intellectual property of Picoquant and may not be copied or forwarded to third parties				with FuoTime adapter							
 PICOQUANT Rudower Chaussee 29 D-12489 Berlin Tel: +49-30-1208820-0 Fax: +49-30-1208820-90 info@picoquant.com				Title: PQ.080.9999.0101.12_LDH-IX_MDS		Sheet 4 / 4					
				Drawing Number: PQ.080.9999.0101.12		Size: A3					
				Supplier No: N.N.		Feedstock: N.N.					