

PMA Series

Photomultiplier Detector Assembly

- Instrument response < 180 ps (FWHM)
- Internal GHz pre-amplifier & shutter
- Optional thermo-electric cooling
- Simple 12 V DC power supply, no HV supply required
- Spectral ranges from 230 to 900 nm
- RF and magnetic shielding with refined iron or nickel coated aluminum housing

Applications

- Steady-state and time-resolved fluorescence and luminescence spectroscopy
- Ultra sensitive analysis
- Fluorescence microscopy
- General purpose photon counting and low light level detection



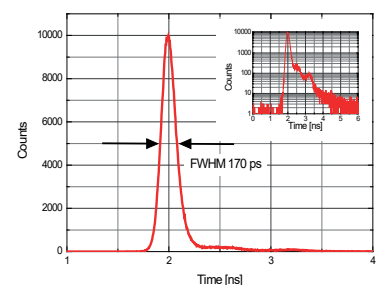
The PMA detector is a single photon sensitive, fully integrated, fast time response and low noise photon sensor from PicoQuant. The PMA integrates a fast Photomultiplier Tube (PMT), a high voltage power supply and pre-amplifier. For selected models thermo-electric cooling and automatic overload protection are available as an option.

These devices are built in an iron or nickel coated aluminum housing with titanium nitride or gold refinement to achieve high level of RF and magnetic shielding and protection against the interference with other devices. The built-in pre-amplifier is specially targeted at timing sensitive applications such as Time-Correlated Single Photon Counting (TCSPC).

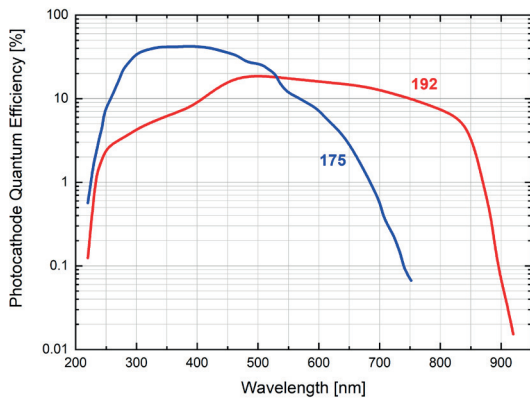
Various photocathodes can be incorporated into the PMA to meet user's needs. Two different cathode versions are available. A blue sensitive, low dark count version with very high detection efficiency that covers the spectral range from 230 to 700 nm and an extended red sensitive cathode for the range from 230 to 920 nm. A thermo-electrically cooled housing is available to reduce the dark count rate (recommended for red sensitive versions).

The housing is available in three different versions. The OEM design contains no safety shutter. Standard PMA-M features a security shutter, which can be interlocked with e.g. a sample chamber lid. Cooled versions (PMA-C Series) incorporate in addition an automatic overload detection function that closes the shutter in case of over-illumination.

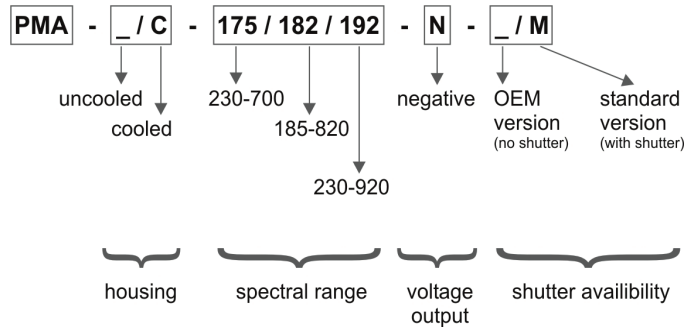
Signal output for all models is a standard 50 Ohms SMA connector. The module only needs a 12 V DC supply line, which is delivered already with the PMA unit.



Spectral response



Naming



Specifications

	PMA 175	PMA 192
Electrical Parameters		
Wavelength range	230-700 nm	230-920 nm
Dark counts* (uncooled)	< 50 cps	< 10000 cps**
Dark counts* (cooled)	< 50 cps	< 3000 cps**
Transit time spread (FWHM, typ. value)	< 180 ps	
Recommended max. count rate	5 MHz	
Single electron response width	1.5 ns	
Pulse rise / fall time	750 ps	
Signal Output		
Connector	SMA female	
Impedance	50 Ohms	
Polarity	negative	
Power Supply		
Input	12 V DC	
Max. current consumption (uncooled)	200 mA	
Max. current consumption (cooled)	450 mA	
	OEM version	PMA versions
Dimensions		
Uncooled (w × d × h)	134 × 84 × 34 mm	72 × 84 × 83 mm
Cooled (w × d × h)	-	120 × 84 × 110 mm
Detector area diameter	8 mm	

* typ. value, at 20 °C ambient temperature

** Lower dark counts might be available on special selection. Please contact us for details.



PicoQuant GmbH
Rudower Chaussee 29 (IGZ)
12489 Berlin
Germany

Phone +49-(0)30-1208820-0
Telefax +49-(0)30-1208820-90
Email info@picoquant.com
Web www.picoquant.com