

Interface

LAZERRADIATION IS EMITTED FROM THIS APERTURE

INVISIBLE LASER RADIATION. AVOID DIRECT EXPOSURE TO BEAM
 CLASS 3B LASER PRODUCT
 Po < 100 mW, λ = 1064 nm
 SEE MANUAL

PicoQuant GmbH
 Rudower Chaussee 29
 D-12489 Berlin
 Germany
 www.picoquant.com

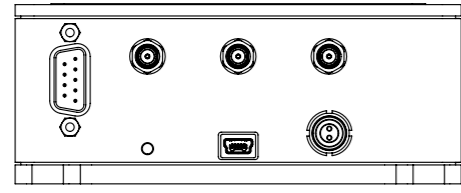
This product is intended for incorporation into an OEM laser control system, and as such required added features for compliance with IEC 60825-1 or 21 CFR 1040.10

MODEL NO. CPDL-S-FA-1064
 PART NO. 916064

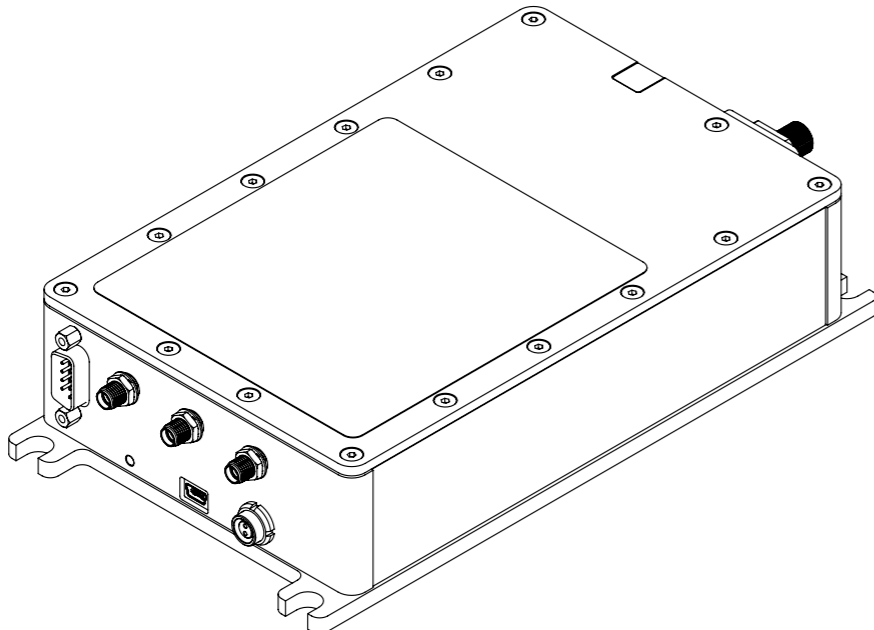
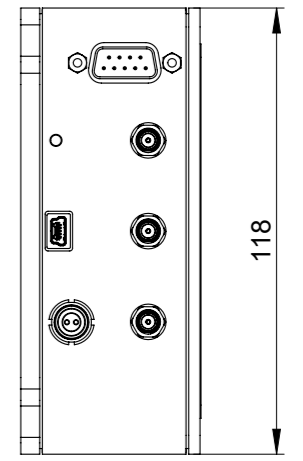
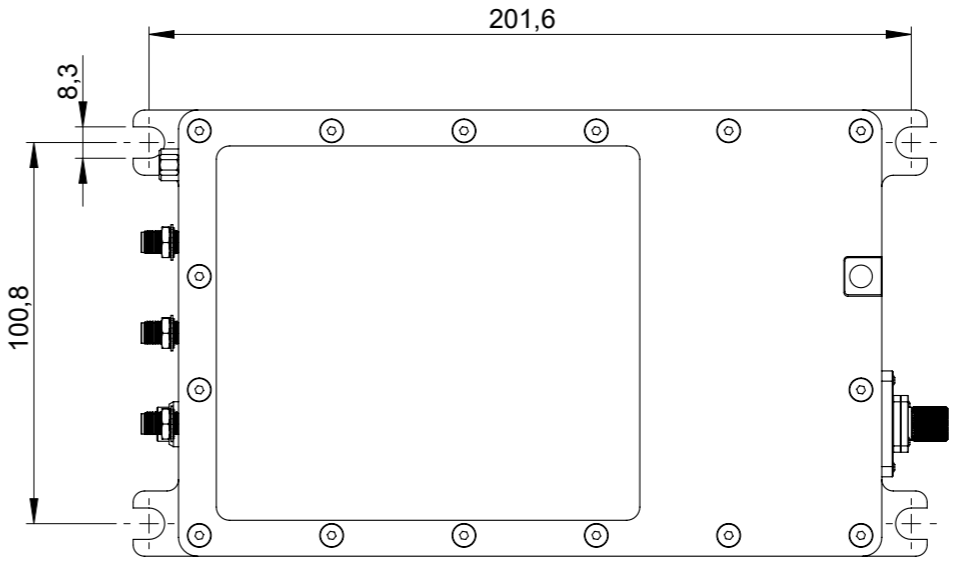
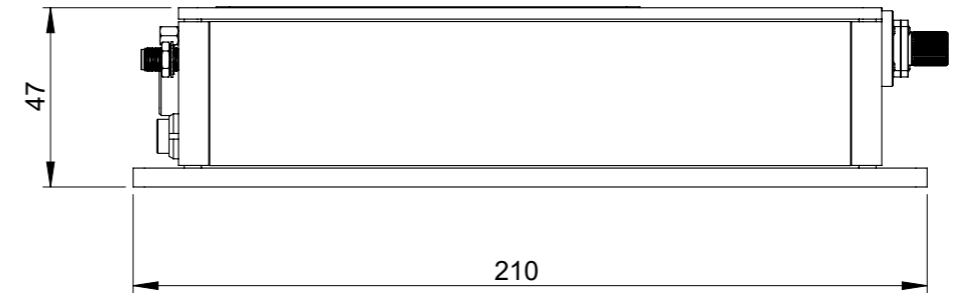
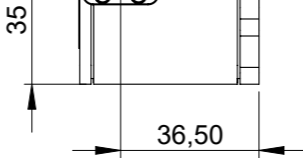
SERIAL NO.
 MFG. DATE:

CE

LASER ON TTL	SYNC OUT 1V _r /500	TRIG IN 5V max / 500
STATUS	USB	POWER DC 12V / 2A



Laser output



series	Dimension sheet	General Dimensions without tolerance indication		all dimensions [mm]	Scale: M 1:2	
		Name	Date		Last Update: 12.10.2018	Weight: 725.77 g
Drawing Standard DIN 406		Edited	Schwarze	12.10.2018		
The content of this drawing is the intellectual property of Picoquant and may not be copied or forwarded to third parties						
 PICOQUANT Rudower Chaussee 29 D-12489 Berlin Tel: +49-30-1208820-0 Fax: +49-30-1208820-90 info@picoquant.com				Title: PQ.033.5100.0001.12_CPDL-S-FA_MDS		Sheet 2 / 2
				Supplier No: N.N.		Size: A3
				Feedstock: N.N.		