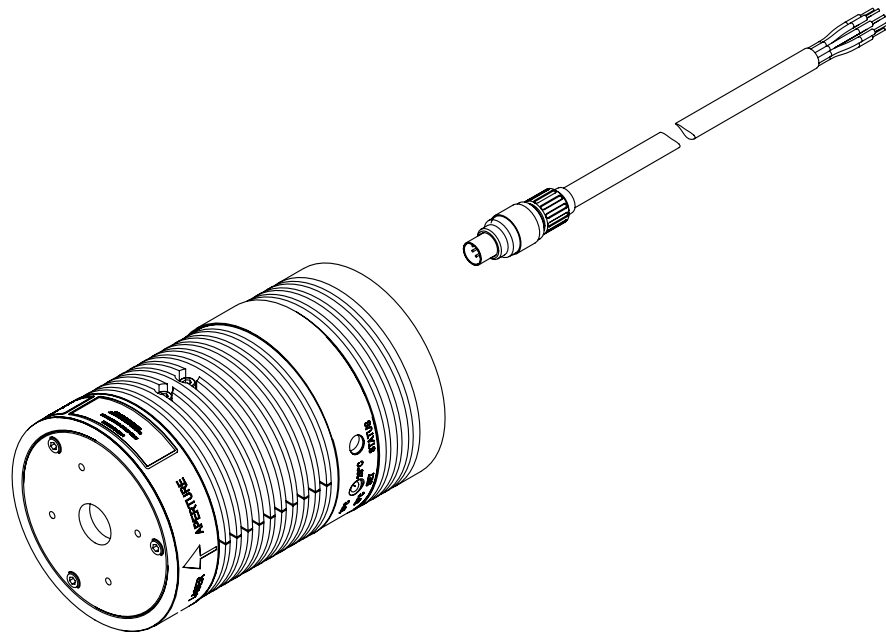
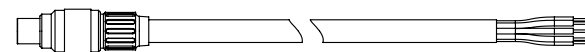
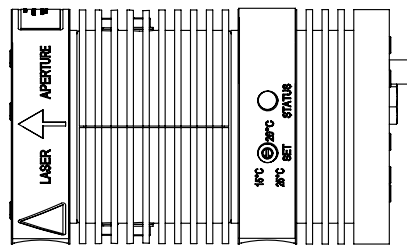
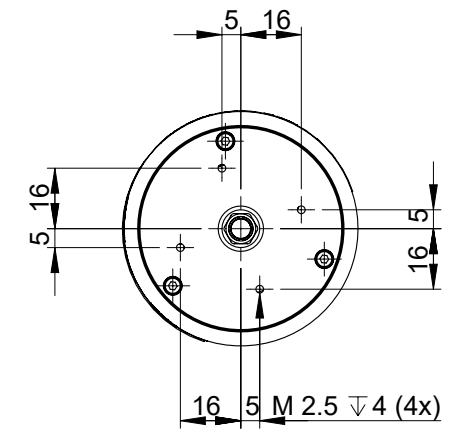
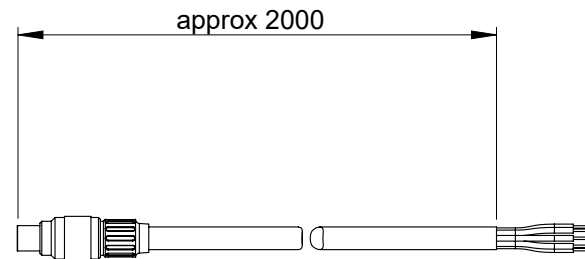
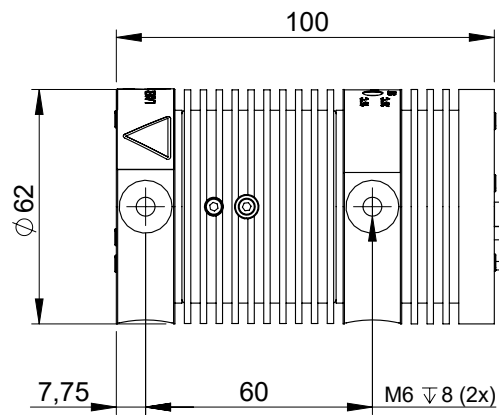
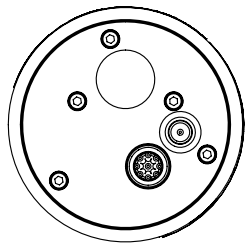
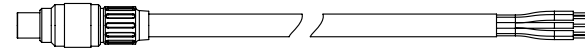
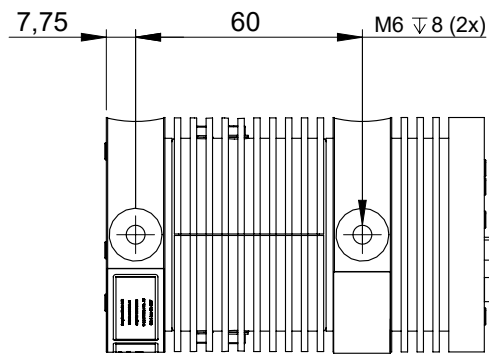


TYPE CPDL-S series	
Modell	Wavelength
916690	685 nm
916760	760 nm
916780	780 nm
916810	810 nm
916830	830 nm
XXXXXX	XXXx nm
XXXXXX	XXXx nm



CPDL-S series		Dimension sheet		General Dimensions without tolerance indication		all dimensions [mm]		Scale: M 1:2		
Drawing Standard DIN 406		Name	Date	Last Update: 10.10.2018		Weight: 450.19 g				
		Edited	Schwarze	10.10.2018						
				The content of this drawing is the intellectual property of Picoquant and may not be copied or forwarded to third parties						
				 <b>PICOQUANT</b> Rudower Chaussee 29 D-12489 Berlin Tel: +49-30-1208820-0 Fax: +49-30-1208820-90 info@picoquant.com		Title: <b>PQ.033.1000.0201.12_CPDL-S_MDS</b>		Drawing Number: <b>PQ.033.1000.0201.12</b>		Sheet 2 / 2
				Supplier No: N.N.		Feedstock: N.N.		Size: A3		